

Square End Mills

2&4 Flute Center Cutting

MG
 Carbide

Bright
 TiAlN

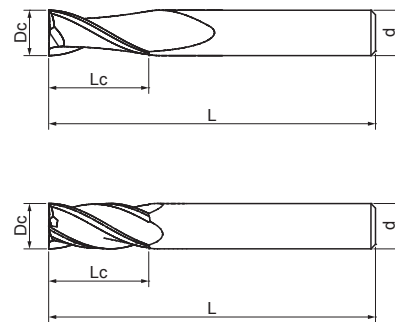

30°



710°

90°

Code No: E172-DC / E174-DC



Work Material

P	H	M	K	N	S
●	○	○	○	○	○

P	Steel
----------	-------

M	Stainless Steel
----------	-----------------

K	Cast Iron
----------	-----------

N	Aluminium
----------	-----------

N	Copper
----------	--------

N	Plastics
----------	----------

S	Titanium
----------	----------

S	Nickel
----------	--------

Tolerance: DC

All Sizes: +0/-0.03mm

Feature of product:

Center Cutting tools are used in a variety of applications including plunging, drilling or ramping.....

TiAlN is one of abrasive resistant coatings. It is commonly used for machining aircraft and aerospace material, Nickel Alloys, Stainless Steels, Titanium, Cast Iron and Steel.

Standard Length

Dc 0 -0.03	Lc mm	L mm	d h6	Bright E172	TiAlN E172F	Bright E174	TiAlN E174F
0.2	0.5	38	3	●	●		
0.3	0.8	38	3	●	●		
0.4	1	38	3	●	●		
0.5	1.2	38	3	●	●		
0.6	1.5	38	3	●	●		
0.7	1.8	38	3	●	●		
0.8	2	38	3	●	●		
0.9	2.5	38	3	●	●		
1	3	38	3	●	●	●	●
1.5	5	38	3	●	●	●	●
2	6	38	3	●	●	●	●
2.5	7	38	3	●	●	●	●
3	9	38	3	●	●	●	●
3.5	12	50	4	●	●	●	●
4	14	50	4	●	●	●	●
4.5	14	50	5	●	●	●	●
5	16	50	5	●	●	●	●
5.5	16	50	6	●	●	●	●
6	20	63	6	●	●	●	●
6.5	20	63	8	●	●	●	●
7	20	63	8	●	●	●	●
7.5	20	63	8	●	●	●	●
8	20	63	8	●	●	●	●
8.5	22	72	10	●	●	●	●
9	22	72	10	●	●	●	●
9.5	22	72	10	●	●	●	●
10	22	72	10	●	●	●	●
11	26	75	12	●	●	●	●
12	26	75	12	●	●	●	●
13	32	89	14	●	●	●	●
14	32	89	14	●	●	●	●
15	32	89	16	●	●	●	●
16	32	89	16	●	●	●	●
17	38	100	18	●	●	●	●
18	38	100	18	●	●	●	●
20	38	100	20	●	●	●	●