

超微粒鎢鋼塗層倒角用立銑刀

Chamfer Mills
4 Flute Chamfering 60°&90°

MG
Carbide

Bright
AlTiN



Code No: E108-DC-60°
Code No: E109-DC-90°

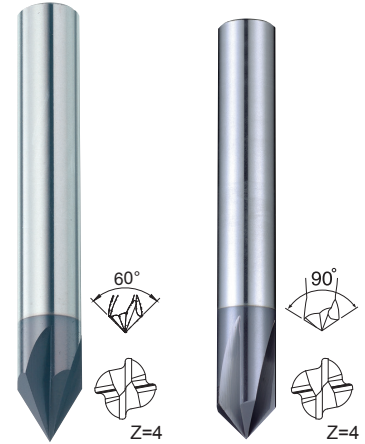
Work Material

P	H	M	K	N	S
●	●	○	●	●	○

P	鋼鐵 Steel
H	硬化鋼 <48HRC Hardened Steel
M	不銹鋼 Stainless Steel
K	鑄鐵 Cast Iron
N	鋁 Aluminium
N	銅 Copper

Tolerance: DC
All Sizes: +0/-0.001"

Feature of product:
適用於鑽孔、倒角、深頭孔、定點鑽、及輪廓銑削。



Standard Length

Dc 0 -0.001"	Lc Inch	L Inch	d h6	Bright E108	AlTiN E108X	Bright E109	AlTiN E109X
1/16	3/16	1-1/2	1/8	●	●	●	●
3/32	3/8	1-1/2	1/8	●	●	●	●
1/8	1/2	1-1/2	1/8	●	●	●	●
3/16	5/8	2	3/16	●	●	●	●
1/4	3/4	2-1/2	1/4	●	●	●	●
5/16	13/16	2-1/2	5/16	●	●	●	●
3/8	1	2-1/2	3/8	●	●	●	●
7/16	1	2-3/4	7/16	●	●	●	●
1/2	1	3	1/2	●	●	●	●
5/8	1-1/4	3-1/2	5/8	●	●	●	●
3/4	1-1/2	4	3/4	●	●	●	●