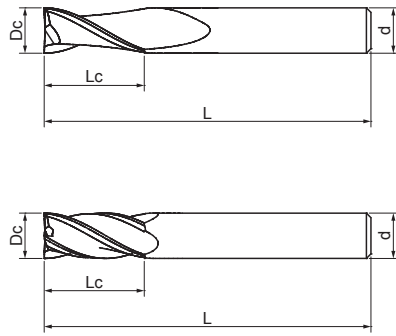


**Square End Mills**  
2&4 Flute Center Cutting

<b>MG</b> Carbide	<b>Bright</b> TiAlN	 30°	 710°	 90°
----------------------	------------------------	---	--	---

Code No: E182-DC / E184-DC  
Code No: E185-DC / E186-DC  
Code No: E187-DC / E188-DC



**Work Material**

<b>P</b>	<b>H</b>	<b>M</b>	<b>K</b>	<b>N</b>	<b>S</b>
●	○	○	○	○	○

<b>P</b>	鋼鐵 Steel
<b>M</b>	不銹鋼 Stainless Steel
<b>K</b>	鑄鐵 Cast Iron
<b>N</b>	鋁 Aluminium
<b>N</b>	銅 Copper
<b>N</b>	塑膠 Plastics
<b>S</b>	鈦合金 Titanium
<b>S</b>	鎳 Nickel

**Tolerance: DC**  
All Sizes: +0/-0.03mm

**Feature of product:**  
中心切削工具可用於各種應用，包括插銑、鑽孔、斜插銑。  
TiAlN 具高耐磨性塗層，廣泛應用於航太材料、鎳合金、不銹鋼、鈦合金、鑄鐵、鋼鐵。

**Long Length**

Dc 0 -0.03	Lc mm	L mm	d h6	Bright E182	TiAlN E182F	Bright E184	TiAlN E184F
3	20	57	3	●	●	●	●
4	20	57	4	●	●	●	●
5	25	63	5	●	●	●	●
6	28	75	6	●	●	●	●
7	30	75	8	●	●	●	●
8	30	75	8	●	●	●	●
9	32	75	10	●	●	●	●
10	32	75	10	●	●	●	●
12	50	100	12	●	●	●	●
14	57	127	14	●	●	●	●
16	57	127	16	●	●	●	●
20	57	127	20	●	●	●	●


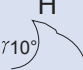

**Extra Long Length**

Dc 0 -0.03	Lc mm	L mm	d h6	Bright E185	TiAlN E185F	Bright E186	TiAlN E186F
3	25	75	3	●	●	●	●
4	28	75	4	●	●	●	●
5	32	75	5	●	●	●	●
6	38	100	6	●	●	●	●
8	42	100	8	●	●	●	●
10	45	100	10	●	●	●	●
12	75	150	12	●	●	●	●
14	80	150	14	●	●	●	●
16	80	150	16	●	●	●	●
20	80	150	20	●	●	●	●

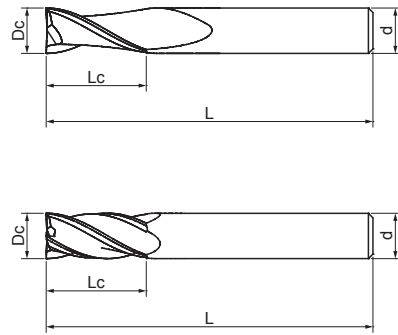
**Extra Long Length**

Dc 0 -0.03	Lc mm	L mm	d h6	Bright E187	TiAlN E187F	Bright E188	TiAlN E188F
5	45	100	6	●	●	●	●
6	50	100	6	●	●	●	●
8	75	150	8	●	●	●	●
10	75	150	10	●	●	●	●
12	75	200	12	●	●	●	●
16	80	200	16	●	●	●	●
20	80	200	20	●	●	●	●

**Square End Mills**  
2&4 Flute Center Cutting

<b>MG</b> Carbide	<b>Bright</b> TiAlN	 30°	 710°	 90°
----------------------	------------------------	---	---	---

Code No: E182-DC / E184-DC  
Code No: E185-DC / E186-DC



**Work Material**

<b>P</b>	<b>H</b>	<b>M</b>	<b>K</b>	<b>N</b>	<b>S</b>
●	○	○	○	○	○

- P** 鋼鐵  
Steel
- M** 不銹鋼  
Stainless Steel
- K** 鑄鐵  
Cast Iron
- N** 鋁  
Aluminium
- N** 銅  
Copper
- N** 塑膠  
Plastics
- S** 鈦合金  
Titanium
- S** 鎳  
Nickel

**Tolerance: DC**  
All Sizes: +0/-0.001"

**Feature of product:**  
中心切削工具可用於各種應用，包括插銑、鑽孔、斜插銑。  
TiAlN 具高耐腐蝕性塗層，廣泛應用於航太材料、鎳合金、不銹鋼、鈦合金、鑄鐵、鋼鐵。

**Long Length**

Dc 0 -0.001"	Lc Inch	L Inch	d h6	Bright E182	TiAlN E182F	Bright E184	TiAlN E184F
1/8	3/4	2-1/4	1/8	●	●	●	●
3/16	3/4	2-1/2	3/16	●	●	●	●
1/4	1-1/8	3	1/4	●	●	●	●
5/16	1-1/8	3	5/16	●	●	●	●
3/8	1-1/8	3	3/8	●	●	●	●
7/16	2	4	7/16	●	●	●	●
1/2	2	4	1/2	●	●	●	●
5/8	2-1/4	5	5/8	●	●	●	●
3/4	2-1/4	5	3/4	●	●	●	●
1	2-1/4	5	1	●	●	●	●

**Extra Long Length**

Dc 0 -0.001"	Lc Inch	L Inch	d h6	Bright E185	TiAlN E185F	Bright E186	TiAlN E186F
1/8	1	3	1/8	●	●	●	●
3/16	1-1/8	3	3/16	●	●	●	●
1/4	1-1/2	4	1/4	●	●	●	●
5/16	1-5/8	4	5/16	●	●	●	●
3/8	1-3/4	4	3/8	●	●	●	●
7/16	3	6	7/16	●	●	●	●
1/2	3	6	1/2	●	●	●	●
5/8	3	6	5/8	●	●	●	●
3/4	3	6	3/4	●	●	●	●
1	3	6	1	●	●	●	●