
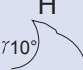

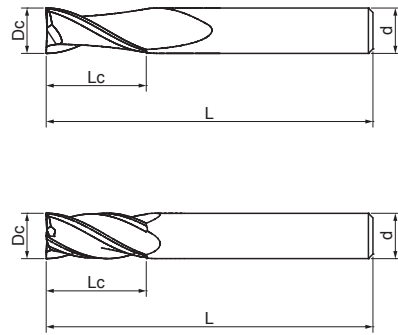


Square End Mills
2&4 Flute Center Cutting

MG Carbide	Bright TiAlN	 30°	 710°	 90°
----------------------	------------------------	---	---	---

Code No: E182-DC / E184-DC
Code No: E185-DC / E186-DC



Work Material

P	H	M	K	N	S
●	○	○	○	○	○

- P** 鋼鐵
Steel
- M** 不銹鋼
Stainless Steel
- K** 鑄鐵
Cast Iron
- N** 鋁
Aluminium
- N** 銅
Copper
- N** 塑膠
Plastics
- S** 鈦合金
Titanium
- S** 鎳
Nickel

Tolerance: DC
All Sizes: +0/-0.001"

Feature of product:
中心切削工具可用於各種應用，包括插銑、鑽孔、斜插銑。
TiAlN 具高耐腐蝕性塗層，廣泛應用於航太材料、鎳合金、不銹鋼、鈦合金、鑄鐵、鋼鐵。

Long Length

Dc 0 -0.001"	Lc Inch	L Inch	d h6	Bright E182	TiAlN E182F	Bright E184	TiAlN E184F
1/8	3/4	2-1/4	1/8	●	●	●	●
3/16	3/4	2-1/2	3/16	●	●	●	●
1/4	1-1/8	3	1/4	●	●	●	●
5/16	1-1/8	3	5/16	●	●	●	●
3/8	1-1/8	3	3/8	●	●	●	●
7/16	2	4	7/16	●	●	●	●
1/2	2	4	1/2	●	●	●	●
5/8	2-1/4	5	5/8	●	●	●	●
3/4	2-1/4	5	3/4	●	●	●	●
1	2-1/4	5	1	●	●	●	●

Extra Long Length

Dc 0 -0.001"	Lc Inch	L Inch	d h6	Bright E185	TiAlN E185F	Bright E186	TiAlN E186F
1/8	1	3	1/8	●	●	●	●
3/16	1-1/8	3	3/16	●	●	●	●
1/4	1-1/2	4	1/4	●	●	●	●
5/16	1-5/8	4	5/16	●	●	●	●
3/8	1-3/4	4	3/8	●	●	●	●
7/16	3	6	7/16	●	●	●	●
1/2	3	6	1/2	●	●	●	●
5/8	3	6	5/8	●	●	●	●
3/4	3	6	3/4	●	●	●	●
1	3	6	1	●	●	●	●