

## Square End Mills

### 2&4 Flute Center Cutting

**MG**  
Carbide

**Bright**  
TiAlN


90°

Code No: E172-DC / E174-DC

### Work Material

P	H	M	K	N	S
●	○	○	○	○	○

<b>P</b>	鋼鐵 Steel
----------	-------------

<b>M</b>	不銹鋼 Stainless Steel
----------	------------------------

<b>K</b>	鑄鐵 Cast Iron
----------	-----------------

<b>N</b>	鋁 Aluminium
----------	----------------

<b>N</b>	銅 Copper
----------	-------------

<b>N</b>	塑膠 Plastics
----------	----------------

<b>S</b>	鈦合金 Titanium
----------	-----------------

<b>S</b>	鎳 Nickel
----------	-------------

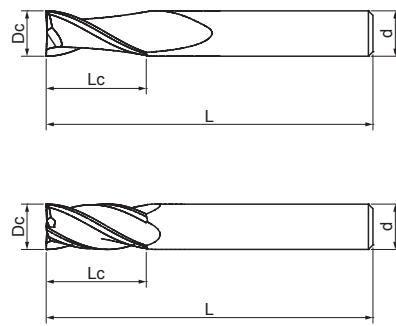
### Tolerance: DC

All Sizes: +0/-0.03mm

### Feature of product:

中心切削工具可用於各種應用，包括插銑、鑽孔、斜插銑。

TiAlN 具高耐磨性塗層，廣泛應用於航太材料、鎳合金、不銹鋼、鈦合金、鑄鐵、鋼鐵。



### Standard Length

Dc	Lc	L	d	Bright	TiAlN	Bright	TiAlN
0 -0.03	mm	mm	h6	E172	E172F	E174	E174F
0.2	0.5	38	3	●	●		
0.3	0.8	38	3	●	●		
0.4	1	38	3	●	●		
0.5	1.2	38	3	●	●		
0.6	1.5	38	3	●	●		
0.7	1.8	38	3	●	●		
0.8	2	38	3	●	●		
0.9	2.5	38	3	●	●		
1	3	38	3	●	●	●	●
1.5	5	38	3	●	●	●	●
2	6	38	3	●	●	●	●
2.5	7	38	3	●	●	●	●
3	9	38	3	●	●	●	●
3.5	12	50	4	●	●	●	●
4	14	50	4	●	●	●	●
4.5	14	50	5	●	●	●	●
5	16	50	5	●	●	●	●
5.5	16	50	6	●	●	●	●
6	20	63	6	●	●	●	●
6.5	20	63	8	●	●	●	●
7	20	63	8	●	●	●	●
7.5	20	63	8	●	●	●	●
8	20	63	8	●	●	●	●
8.5	22	72	10	●	●	●	●
9	22	72	10	●	●	●	●
9.5	22	72	10	●	●	●	●
10	22	72	10	●	●	●	●
11	26	75	12	●	●	●	●
12	26	75	12	●	●	●	●
13	32	89	14	●	●	●	●
14	32	89	14	●	●	●	●
15	32	89	16	●	●	●	●
16	32	89	16	●	●	●	●
17	38	100	18	●	●	●	●
18	38	100	18	●	●	●	●
20	38	100	20	●	●	●	●



Z=2



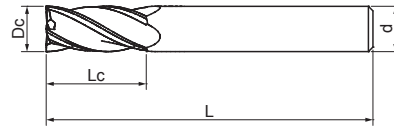
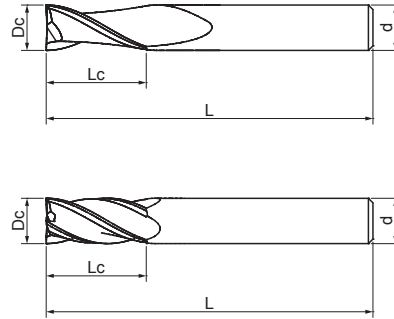
Z=4

## 超微粒鎢鋼塗層通用立銑刀 / 精加工立銑刀

Square End Mills  
2&4 Flute Center CuttingMG  
CarbideBright  
TiAlN

90°

Code No: E172-DC / E174-DC



Z=2



Z=4

## Work Material

P	H	M	K	N	S
●	○	○	○	○	○

P	鋼鐵 Steel
---	-------------

M	不銹鋼 Stainless Steel
---	------------------------

K	鑄鐵 Cast Iron
---	-----------------

N	鋁 Aluminium
---	----------------

N	銅 Copper
---	-------------

N	塑膠 Plastics
---	----------------

S	鈦合金 Titanium
---	-----------------

S	鎳 Nickel
---	-------------

## Tolerance: DC

All Sizes: +0/-0.001"

## Feature of product:

中心切削工具可用於各種應用，包括插銑、鑽孔、斜插銑。

TiAlN 具高耐腐蝕性塗層，廣泛應用於航太材料、鎳合金、不銹鋼、鈦合金、鑄鐵、鋼鐵。

## Standard Length

Dc 0 -0.001"	Lc Inch	L Inch	d h6	Bright E172	TiAlN E172F	Bright E174	TiAlN E174F
1/32	3/32	1-1/2	1/8	●	●		
3/64	1/8	1-1/2	1/8	●	●		
1/16	3/16	1-1/2	1/8	●	●	●	●
5/64	1/4	1-1/2	1/8	●	●	●	●
3/32	3/8	1-1/2	1/8	●	●	●	●
7/64	3/8	1-1/2	1/8	●	●	●	●
1/8	1/2	1-1/2	1/8	●	●	●	●
5/32	9/16	2	3/16	●	●	●	●
3/16	5/8	2	3/16	●	●	●	●
7/32	5/8	2-1/2	1/4	●	●	●	●
1/4	3/4	2-1/2	1/4	●	●	●	●
9/32	3/4	2-1/2	5/16	●	●	●	●
5/16	13/16	2-1/2	5/16	●	●	●	●
3/8	1	2-1/2	3/8	●	●	●	●
7/16	1	2-3/4	7/16	●	●	●	●
1/2	1	3	1/2	●	●	●	●
9/16	1-1/4	3-1/2	9/16	●	●	●	●
5/8	1-1/4	3-1/2	5/8	●	●	●	●
3/4	1-1/2	4	3/4	●	●	●	●
1	1-1/2	4	1	●	●	●	●